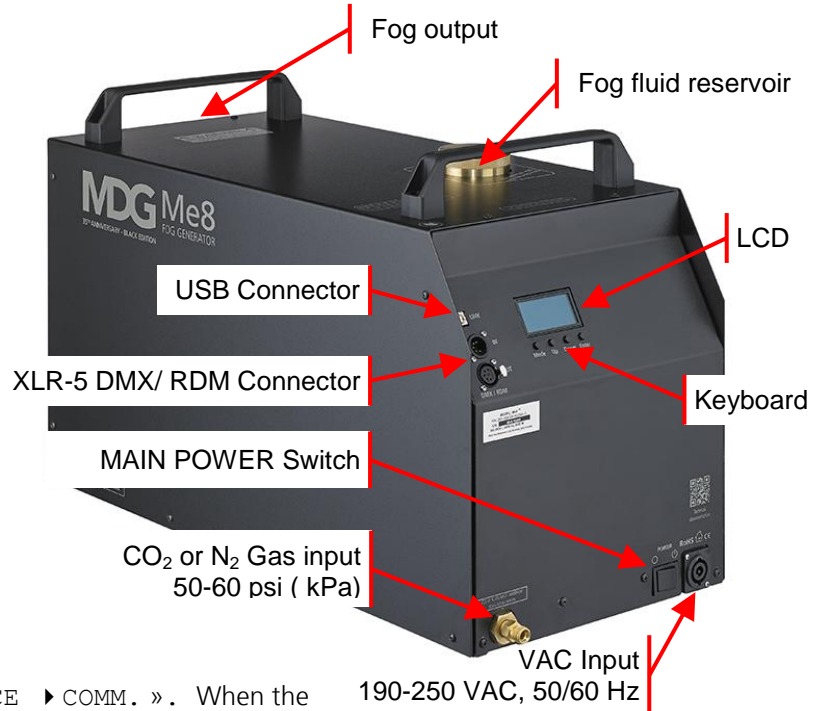


MDG Me8

Installation

- Connect the gas inlet to a gas bottle equipped with a regulator. The gas inlet is an Oxygen Adaptor (9/16-18 R.H).
- Connect the data wiring (Male XLR-5 connector for DMX/RDM) if you are using a DMX or RDM controller.
- Connect the power cord 190-250 VAC, 50/60 Hz, 5630W.
- Open the gas bottle (CO₂ or N₂ industrial grade, over 99% of purity), and **set the regulator pressure between 50 and 60 psi** (3.5 and 4.1 bar, or 350 and 410 kPa).
- Fill the reservoir with **MDG Neutral Fog Fluid**.

Power ON the MDG **Me8**.



Working with the keyboard (LOCAL Mode)

- Verify the communication mode in the «INTERFACE ▶ COMM. ». When the «AUTO» mode is activated, the MDG **Me8** is then controlled by DMX, only if there is a signal. If the DMX wire is unplugged, the control remains local.
- When the generator is manually switched to «UNIT ON» mode («CONTROL ▶ UNIT ▶ ON»), the program starts the heating cycle for approximately 8 minutes («STATUS ▶ STATE = % HEAT»).
When the temperature reaches operating level, the Automatic Purging System™ (APSTM) will be initiated («STATUS ▶ STATE = PURGE»).
After the first purging cycle is completed (1 min), the generator is ready to produce fog («STATUS ▶ STATE = READY»).
- To produce Fog, switch the generator to «FOG ON» mode («CONTROL ▶ FOG ▶ ON»).
The MDG **Me8** will start to produce fog right away.
Fog emission can be controlled by adjusting the working pressure of the internal reservoir («CONTROL ▶ PRESSURE»).

The MDG **Me8** will produce fog as long as the control parameters are within specifications, the fog fluid reservoir filled and the gas bottle pressurized.

If a critical problem occurs, the fog generator automatically shuts down, and displays an error message in the **Status Menu**.

The most common errors are (check the manual for more details):

- ERROR = P. LOW Gas bottle is probably closed, empty or not connected. Check also the regulator pressure.
- ERROR = P. HIGH The input gas pressure is too high (Pressure between 50-60 psi / 3.5-4.1 bar / 350-410 kPa).
- ERROR = HEATER Check the AC voltage.
- ERROR = PCB HIGH Move the generator to a colder location.

Working with DMX/RDM Control (DMX Mode)

- Connect a DMX line to DMX In connector (Male XLR-5 connector).
- Select the communication mode in the «INTERFACE ▶ COMM. ». When the «AUTO» mode is activated, the MDG **Me8** is then controlled by DMX, only if there is a DMX signal.
- Set the DMX Start Address in the Interface Menu («INTERFACE ▶ COMM. ▶ DMX ADDR»), and choose any value between 1 and 510 (512, last DMX channel).

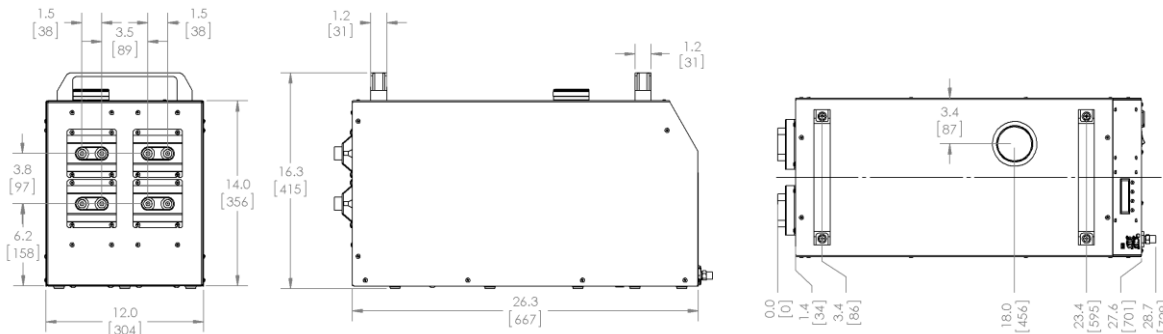
The DMX Start Address can be reassigned via a RDM control.

The generator uses three (3) DMX channels:

- Channel 1 **0 (0%)** < UNIT OFF ≤ **128 (50%)** < UNIT ON ≤ **255 (100%)**
- Channel 2 **0 (0%) – 255 (100%)**, FOG OUTPUT (from minimum to maximum)
- Channel 3 **0 (0%)** < FOG OFF ≤ **128 (50%)** < FOG ON ≤ **255 (100%)**

Technical Specifications

Maximum fog output (per minute):	800 m ³ (28,250 ft ³)
Fog colour:	Pure white
Particle size:	0.5 to 0.7 microns
Fluid consumption:	8 L (238 oz / 2.12 US gal) per hour at 2.76 bar / 40 psi
Fluid type:	MDG Neutral™ Fog Fluid ONLY M.S.D.S. available on request
Fluid reservoir:	9.5 L (2.5 US gal) bottle
Gas type:	Industrial Grade CO ₂ or N ₂
Gas pressure input:	4.15 bar / 60 psi max
Gas consumption:	6.8 kg (15 lb) per hour at 2.76 bar / 40 psi
Operating voltage:	190-250 VAC, 50/60Hz, 1 phase, 5630 W Ground / Earth connection REQUIRED
Operating temperature:	0 °C to 50 °C (32 °F to 122 °F)
Operating humidity:	90 % relative humidity @ 50 °C (122 °F), non-condensing
Storage temperature:	-40 °C (-40 °F) to 60 °C (140 °F)
Storage humidity:	80% relative humidity @ 60° C (140 °F)
Approval	CE, CSA and UL pending
Dimensions	41.5 cm (16.3") H x 30.5 cm (12.0") W x 73. cm (28.7") L
Weight:	45 kg (100 lb)



... For further details, please read the **User Guide**.