

theFan DMX/RDM DIGITAL FAN

Installation

The MDG *theFan* comes ready to use.

It can be suspended from a truss via a Omega clamp or a Half Cheeseborough clamp, or it can be simply placed on a horizontal surface on its vibration feet.

- Connect the data wiring (DMX or RDM), if you want to use remote control
- Plug the IEC power cord (90–250 VAC, 50-60 Hz, 100 W)
- Block the hand wheels
- Switch on the power

The MDG *theFan* is now ready to be used.

... For further details, please read the **Operating Guide**.



DMX / RDM

The MDG *theFan* has two personalities:

Mode 1 Channel

1. Fan Off < 10% (26)
Fan Speed, from low (10%) to high (100%)

Mode 2 Channels

1. Fan Off < 50 % (128) ≤ Fan On
2. Fan Speed, from low (0%) to high (100%)

The MDG *theFan* is implemented with the most common RDM parameters.

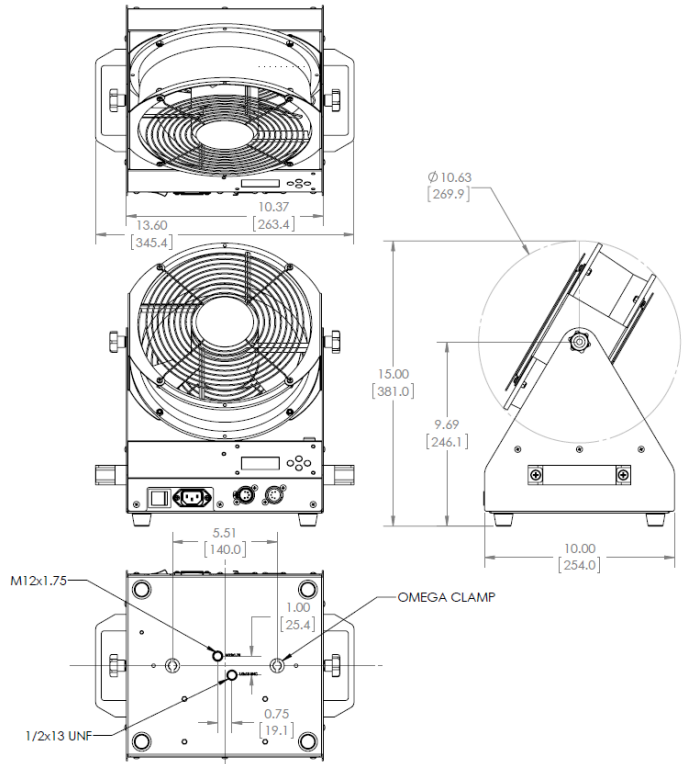
Menu Tree

1. FAN	On/Off	Mode 2 Channels only	/	DMX Channel #1
2. Output	0 – 255	Mode 1 Channel	/	DMX Channel #1
		Mode 2 Channels	/	DMX Channel #2
3. DMX Add	1 – 511	Can also be set via RDM		
4. DMX Pers	1 CH – 2 CH	Can also be set via RDM		
5. Mode	Auto / Local / DMX	In AUTO, DMX controls always take precedence over Local commands		
6. Firmware	1.xxx			
7. Dev. ID	xxxxx	Label ID. Can only be set via RDM		
8. UID	xxxxx	RDM Unique ID		

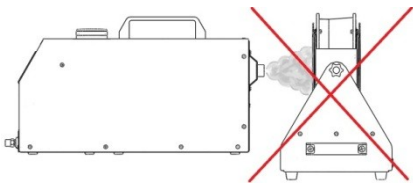
Datasheet

Mechanical	<p>3-bladed fan, 270° tilt Variable speed, Max airflow: 850 CFM Noise Level: 64db @ full speed Omega clamp socket M12x1.75 metric bolt hole 1/2"x13 imperial bolt hole 2 handles 4-button controller with LCD panel Storage temperature: -40°C to +90°C Operating temperature: -20°C to +75°C Total net weight: 6.8 kg (15 lbs)</p>
Electrical	<p>100 – 240 VAC, 50/60 Hz, single phase 100 Watts IEC 315/C15, UL/CSA /CE 18 AWG cord</p>
Data	<p>1 standard USITT DMX512 channels 2 XLR-5 connectors: 1 input, 1 output. Controllable through DMX + RDM</p>

Dimensions

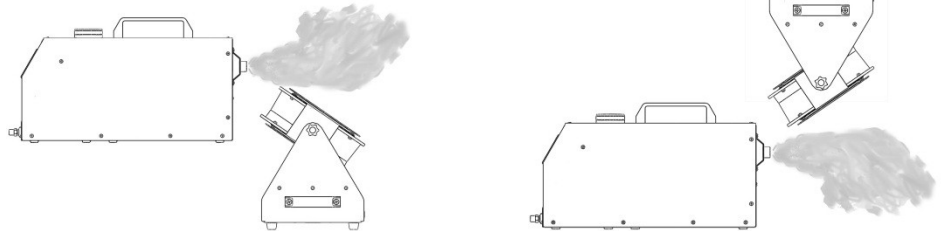


Using *theFan* with a fog generator



Always blows the fog...

Do not place the MDG **theFan** in front of a fog generator with the fog flowing through the fan.
 This will cause condensation and will degrade the quality of the fog.



Rigging *theFan*

- Verify that the structure can support at least 10 times the total weight of the complete fixtures.
- Verify that Cheeseborough bolts are properly tightened.
- Any quarter-turn fasteners used (omega clamp) must be turned a full quarter turn clockwise to lock them.
- Always use a safety cable that can hold at least 10 times the weight of the MDG **theFan**.

